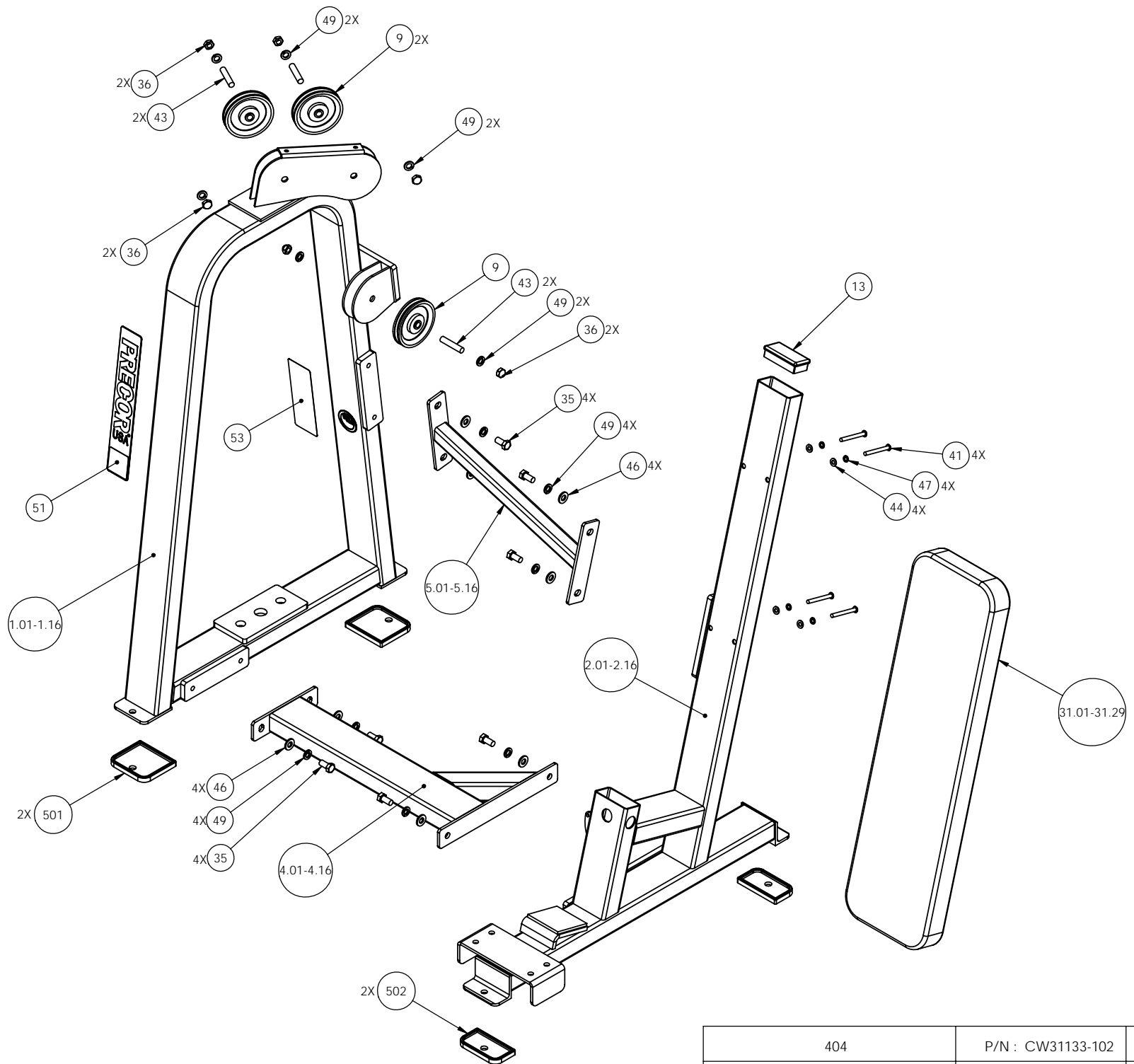
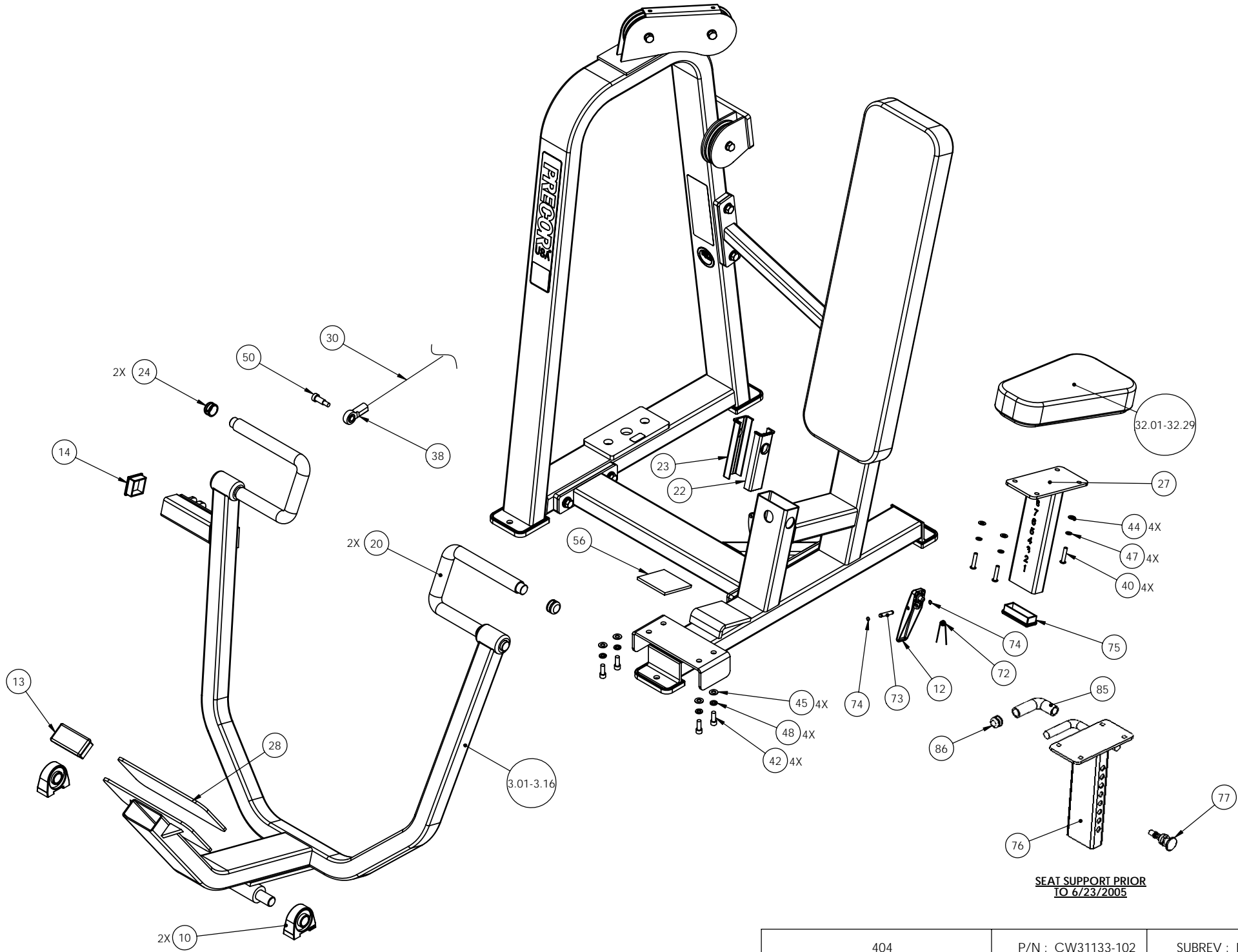


404	P/N : CW31133-102	SUBREV : D
DRAWN BY : CT	DATE : 11.07.05	SHEET 1 OF 4

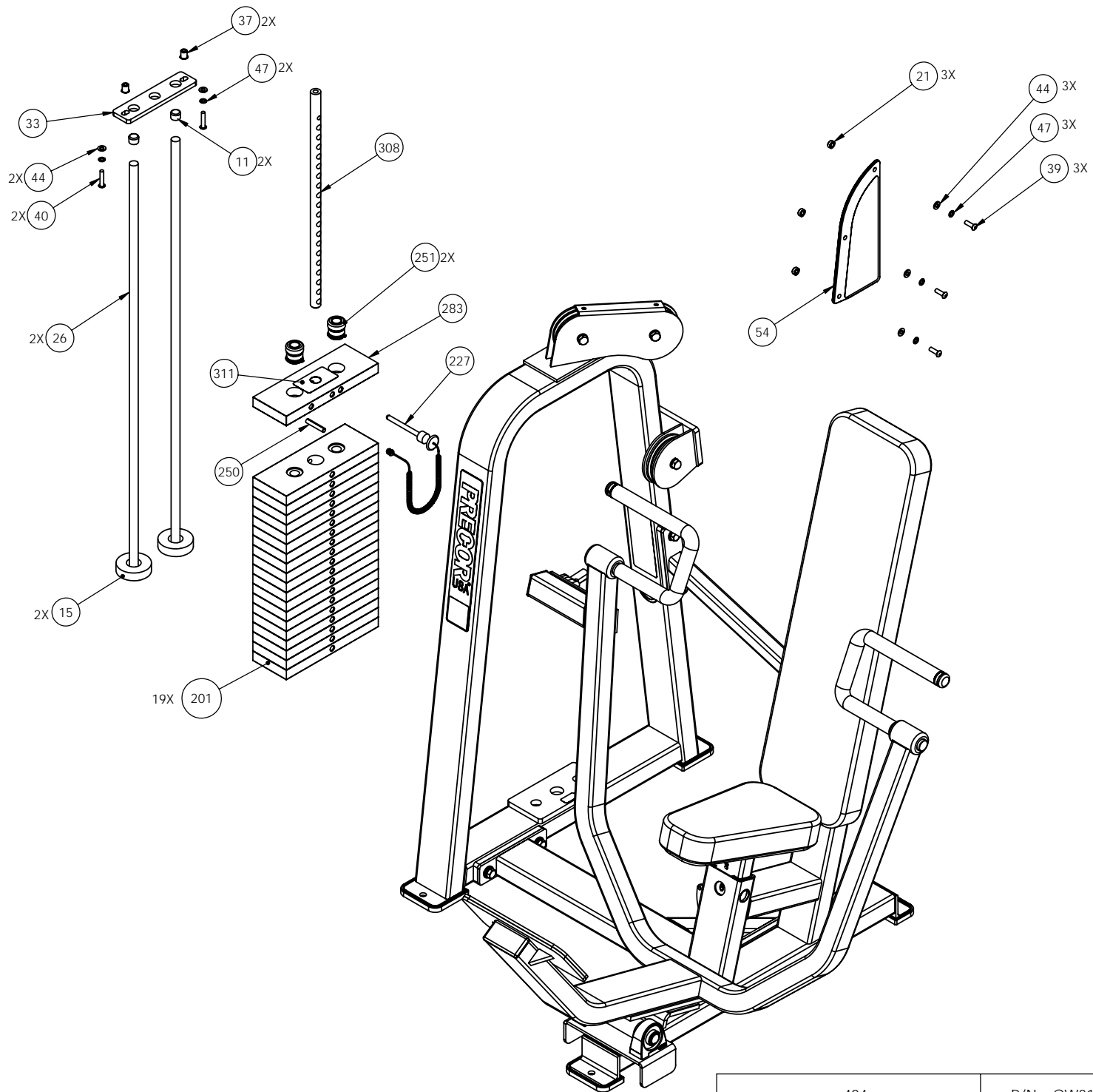


404	P/N : CW31133-102	SUBREV : D
DRAWN BY : CT	DATE : 11.07.05	SHEET 2 OF 4



SEAT SUPPORT PRIOR
TO 6/23/2005

404	P/N : CW31133-102	SUBREV : D
DRAWN BY : CT	DATE : 11.07.05	SHEET 3 OF 4



404	P/N : CW31133-102	SUBREV : D
DRAWN BY : CT	DATE : 11.07.05	SHEET 4 OF 4

404 Vertical Chest Press

Part Number	Description	Bubble Number
CW404SA1-211	ASSY,FRAME,MAIN,404,SKY WHITE	1.01
CW404SA1-221	ASSY,FRAME,MAIN,404,BLACK	1.02
CW404SA1-231	ASSY,FRAME,MAIN,404,RED	1.03
CW404SA1-241	ASSY,FRAME,MAIN,404,PLATINUM SPRKLE	1.04
CW404SA1-251	ASSY,FRAME,MAIN,404,SILVER	1.05
CW404SA1-261	ASSY,FRAME,MAIN,404,BLUE	1.06
CW404SA1-271	ASSY,FRAME,MAIN,404,CHARCOAL	1.07
CW404SA1-281	ASSY,FRAME,MAIN,404,CATHEDRAL GRAY	1.08
CW404SA1-291	ASSY,FRAME,MAIN,404,SILVER VIEN	1.09
CW404SA1-311	ASSY,FRAME,MAIN,404,STONE HG	1.11
CW404SA1-321	ASSY,FRAME,MAIN,404,TITANIUM HG	1.12
CW404SA1-331	ASSY,FRAME,MAIN,404,WHITE GLOSS	1.13
CW404SA1-341	ASSY,FRAME,MAIN,404,BLACK ONYX	1.14
CW404SA1-351	ASSY,FRAME,MAIN,404,LIGHT BRONZE	1.15
CW404SA1-361	ASSY,FRAME,MAIN,404,SAPPHIRE BLUE	1.16
CW404SA2-211	ASSY,FRAME,SEAT,404,SKY WHITE	2.01
CW404SA2-221	ASSY,FRAME,SEAT,404,BLACK	2.02
CW404SA2-231	ASSY,FRAME,SEAT,404,RED	2.03
CW404SA2-241	ASSY,FRAME,SEAT,404,PLATINUM SPRKL	2.04
CW404SA2-251	ASSY,FRAME,SEAT,404,SILVER	2.05
CW404SA2-261	ASSY,FRAME,SEAT,404,BLUE	2.06
CW404SA2-271	ASSY,FRAME,SEAT,404,CHARCOAL	2.07
CW404SA2-281	ASSY,FRAME,SEAT,404,CATHEDRAL GREY	2.08
CW404SA2-291	ASSY,FRAME,SEAT,404,SILVER VIEN	2.09
CW404SA2-312	ASSY,FRAME,SEAT,404,STONE HG	2.11
CW404SA2-321	ASSY,FRAME,SEAT,404,TITANIUM HG	2.12
CW404SA2-331	ASSY,FRAME,SEAT,404,WHITE GLOSS	2.13
CW404SA2-341	ASSY,FRAME,SEAT,404,BLACK O	2.14
CW404SA2-351	ASSY,FRAME,SEAT,404,LIGHT BRONZE	2.15
CW404SA2-361	ASSY,FRAME,SEAT,404,SAPPHIRE BLUE	2.16
CW404SA3-211	ASSY,ARM,404,SKY WHITE	3.01
CW404SA3-221	ASSY,ARM,404,BLACK	3.02
CW404SA3-231	ASSY,ARM,404,RED	3.03
CW404SA3-241	ASSY,ARM,404,PLATINUM SPRKL	3.04
CW404SA3-251	ASSY,ARM,404,SILVER	3.05
CW404SA3-261	ASSY,ARM,404,BLUE	3.06
CW404SA3-271	ASSY,ARM,404,CHARCOAL	3.07
CW404SA3-281	ASSY,ARM,404,CATHEDRAL GREY	3.08
CW404SA3-291	ASSY,ARM,404,SILVER VIEN	3.09
CW404SA3-311	ASSY,ARM,404,STONE HG	3.11
CW404SA3-321	ASSY,ARM,404,TITANIUM	3.12
CW404SA3-331	ASSY,ARM,404,WHITE GLOSS	3.13
CW404SA3-341	ASSY,ARM,404,BLACK ONYX	3.14
CW404SA3-351	ASSY,ARM,404,LIGHT BRONZE	3.15
CW404SA3-361	ASSY,ARM,404,SAPPHIRE BLUE	3.16
CW404SA4-211	ASSY,LOWER STRUT,404,SKY WHITE	4.01
CW404SA4-221	ASSY,LOWER STRUT,404,BLACK	4.02
CW404SA4-231	ASSY,LOWER STRUT,404,RED	4.03
CW404SA4-241	ASSY,LOWER STRUT,404,PLATINUM SPRKL	4.04

CW404SA4-251	ASSY,LOWER STRUT,404,SILVER	4.05
CW404SA4-261	ASSY,LOWER STRUT,404,BLUE	4.06
CW404SA4-271	ASSY,LOWER STRUT,404,CHARCOAL	4.07
CW404SA4-281	ASSY,LOWER STRUT,404,CATHEDRAL GREY	4.08
CW404SA4-291	ASSY,LOWER STRUT,404,SILVER VIEN	4.09
CW404SA4-311	ASSY,LOWER STRUT,404,STONE HG	4.11
CW404SA4-321	ASSY,LOWER STRUT,404,TITANIUM HG	4.12
CW404SA4-331	ASSY,LOWER STRUT,404,WHITE GLOSS	4.13
CW404SA4-341	ASSY,LOWER STRUT,404,BLACK ONYX	4.14
CW404SA4-351	ASSY,LOWER STRUT,404,LIGHT BRONZE	4.15
CW404SA4-361	ASSY,LOWER STRUT,404,SAPPHIRE BLUE	4.16
CW404SA5-211	ASSY,UPPER STRUT,404,SKY WHITE	5.01
CW404SA5-221	ASSY,UPPER STRUT,404,BLACK	5.02
CW404SA5-231	ASSY,UPPER STRUT,404,RED	5.03
CW404SA5-241	ASSY,UPPER STRUT,404,PLATINUM SPRKL	5.04
CW404SA5-251	ASSY,UPPER STRUT,404,SILVER	5.05
CW404SA5-261	ASSY,UPPER STRUT,404,BLUE	5.06
CW404SA5-271	ASSY,UPPER STRUT,404,CHARCOAL	5.07
CW404SA5-281	ASSY,UPPER STRUT,404,CATHEDRAL GREY	5.08
CW404SA5-291	ASSY,UPPER STRUT,404,SILVER VIEN	5.09
CW404SA5-311	ASSY,UPPER STRUT,404,STONE HG	5.11
CW404SA5-321	ASSY,UPPER STRUT,404,TITANIUM HG	5.12
CW404SA5-331	ASSY,UPPER STRUT,404,WHITE GLOSS	5.13
CW404SA5-341	ASSY,UPPER STRUT,404,BLACK ONYX	5.14
CW404SA5-351	ASSY,UPPER STRUT,404,LIGHT BRONZE	5.15
CW404SA5-361	ASSY,UPPER STRUT,404,SAPPHIRE BLUE	5.16
CWAC1009-101	PULLEY, 4 1/2 DIA. X 1/2 ID	9
CW12406-101	PILLOW BLOCK, BEARING, 2 BOLT	10
CW12404-101	CAP, GUIDE ROD,DIA 3/4, BLK	11
CW30165-751	ASSY, POP PIN, 0.450 DIA HANDLE, B	12
CW32460-321	ASSY, RATCHETING LEVER, TITANIUM	12
CW11311-102	ENDCAP, REC TUBE, 2X4, BLK PLASTIC	13
CW11311-103	ENDCAP, REC TUBE, 2X2, BLK PLASTIC	14
CW12402-101	BUMPER, WEIGHT STACK, BLK RUBBER	15
CWGR2621-000	GRIP,RUBBER, 1" DIA, 21"	20
CWAC1228-901	SPACER, ALU,.328 ID X .625 OD X .25	21
CWAC1236-102	GUIDE INSERT, PLASTIC WITH HOLE, BL	23
CWAC218-901	HANDLE END CAP W/SET SCREWS, DIA 1"	24
CWPF1212-711	GUIDE ROD, 3/4 X 42 5/8 (#4), CHM	26
CW32535-711	ASSEMBLY, SEAT ADJUSTMENT, 8 HOLE,	27
CW30013-114	CUT PIECE, CREPE, 1/4 X 6 X 12	28
CW30013-107	CUT PIECE, CREPE, 1/4 X 3 3/4 X 3 3	29
CWCLGP065-125	ASSY, CABLE, 404	30
CWPD1102J-101	PAD,FLAT,10X36,4HOLES,W/BP,BLACK,W/	31.01
CWPD1102J-102	PAD,FLAT,10X36,4HOLES,W/BP,RYL BL,W	31.02
CWPD1102J-103	PAD,FLAT,10X36,4HOLES,W/BP,DVE GRY,	31.03
CWPD1102J-104	PAD,FLAT,10X36,4HOLES,W/BP,CROCUS,W	31.04
CWPD1102J-105	PAD,FLAT,10X36,4HOLES,W/BP,GROTTO,W	31.05
CWPD1102J-106	PAD,FLAT,10X36,4HOLES,W/BP,GRAPHITE	31.06
CWPD1102J-107	PAD,FLAT,10X36,4HOLES,W/BP,RED,W/SL	31.07
CWPD1102J-108	PAD,FLAT,10X36,4HOLES,W/BP,CHN GRN,	31.08

CWPD1102J-109	PAD,FLAT,10X36,4HOLES,W/BP,TURQSE,W	31.09
CWPD1102J-110	PAD,FLAT,10X36,4HOLES,W/BP,RASP,W/S	31.1
CWPD1102J-111	PAD,FLAT,10X36,4HOLES,W/BP,PLUM,W/S	31.11
CWPD1102J-112	PAD,FLAT,10X36,4HOLES,W/BP,REGIMENT	31.12
CWPD1102J-113	PAD,FLAT,10X36,4HOLES,W/BP,SPC BLUE	31.13
CWPD1102J-115	PAD,FLAT,10X36,4HOLES,W/BP,BLK LTHR	31.15
CWPD1102J-116	PAD,FLAT,10X36,4HOLES,W/BP,NVBL LTH	31.16
CWPD1102J-117	PAD,FLAT,10X36,4HOLES,W/BP,PUTTY,W/	31.17
CWPD1102J-118	PAD,FLAT,10X36,4HOLES,W/BP,IMPRL BL	31.18
CWPD1102J-119	PAD,FLAT,10X36,4HOLES,W/BP,YEW GRN,	31.19
CWPD1102J-120	PAD,FLAT,10X36,4HOLES,W/BP,DSTY JDE	31.2
CWPD1102J-121	PAD,FLAT,10X36,4HLS,W/BP,TRRA CTTA,	31.21
CWPD1102J-122	PAD,FLAT,10X36,4HOLES,W/BP,PAPRIKA,	31.22
CWPD1102J-123	PAD,FLAT,10X36,4HLS,W/BP,ASH LTHR,W	31.23
CWPD1102J-124	PAD,FLAT,10X36,4HL,W/BP,CERULN LTH,	31.24
CWPD1102J-125	PAD,FLAT,10X36,4HL,W/BP,CHARCL LTH,	31.25
CWPD1102J-126	PAD,FLAT,10X36,4HLS,W/BP,HUNTER LTH	31.26
CWPD1102J-127	PAD,FLAT,10X36,4HLS,W/BP,MOSS LTH,W	31.27
CWPD1102J-128	PAD,FLAT,10X36,4HLS,W/BP,SPICE LTH,	31.28
CWPD1102J-129	PAD,FLAT,10X36,4HLS,W/BP,TOMATO LTH	31.29
CWPD1207B-101	PAD,5X9X14.5,4HOLES,W/BP,BLACK	32.01
CWPD1207B-102	PAD,5X9X14.5,4HOLES,W/BP,RYL BL	32.02
CWPD1207B-103	PAD,5X9X14.5,4HOLES,W/BP,DVE GRY	32.03
CWPD1207B-104	PAD,5X9X14.5,4HOLES,W/BP,CROCUS	32.04
CWPD1207B-105	PAD,5X9X14.5,4HOLES,W/BP,GROTTO	32.05
CWPD1207B-106	PAD,5X9X14.5,4HOLES,W/BP,GRAPHITE	32.06
CWPD1207B-107	PAD,5X9X14.5,4HOLES,W/BP,RED	32.07
CWPD1207B-108	PAD,5X9X14.5,4HOLES,W/BP,CHN GRN	32.08
CWPD1207B-109	PAD,5X9X14.5,4HOLES,W/BP,TURQSE	32.09
CWPD1207B-110	PAD,5X9X14.5,4HOLES,W/BP,RASP	32.1
CWPD1207B-111	PAD,5X9X14.5,4HOLES,W/BP,PLUM	32.11
CWPD1207B-112	PAD,5X9X14.5,4HOLES,W/BP,REGIMENT	32.12
CWPD1207B-113	PAD,5X9X14.5,4HOLES,W/BP,SPC BLUE	32.13
CWPD1207B-115	PAD,5X9X14.5,4HOLES,W/BP,BLK LTHR	32.15
CWPD1207B-116	PAD,5X9X14.5,4HOLES,W/BP,NVBL LTH	32.16
CWPD1207B-117	PAD,5X9X14.5,4HOLES,W/BP,PUTTY	32.17
CWPD1207B-118	PAD,5X9X14.5,4HOLES,W/BP,IMPRL BL	32.18
CWPD1207B-119	PAD,5X9X14.5,4HOLES,W/BP,YEW GRN	32.19
CWPD1207B-120	PAD,5X9X14.5,4HOLES,W/BP,DSTY JD	32.2
CWPD1207B-121	PAD,5X9X14.5,4HOLES,W/BP,TER COT	32.21
CWPD1207B-122	PAD,5X9X14.5,4HOLES,W/BP,PAPRIKA	32.22
CWPD1207B-123	PAD,5X9X14.5,4HLS,W/BP,ASH LTHR	32.23
CWPD1207B-124	PAD,5X9X14.5,4HLS,W/BP,CERULAN LTHR	32.24
CWPD1207B-125	PAD,5X9X14.5,4HLS,W/BP,CHARCOAL LTH	32.25
CWPD1207B-126	PAD,5X9X14.5,4HLS,W/BP,HUNTER LTHR	32.26
CWPD1207B-127	PAD,5X9X14.5,4HLS,W/BP,MOSS LTHR	32.27
CWPD1207B-128	PAD,5X9X14.5,4HLS,W/BP,SPICE LTHR	32.28
CWPD1207B-129	PAD,5X9X14.5,4HLS,W/BP,TOMATO LTH	32.29
CWPF1016-731	BAR,,FLAT CR/HR, 3/8 X 2 X 8 1/4, 3	33
CWHCYN050-100	SCREW,HEX HEAD,BLK XYLAN,1/2-13 X 1	35
CWKADLN050-081	NUT, ACORN, 1/2-13	36

CW12537-109	NUT,INSERT,THIN-NUT,LARGE FLANGE	37
CWCLFA1064-741	ROD END, FEMALE, STEEL, ZINC, CAD,	38
CWTAYN031-100	SCREW, BUTTON HEAD, BLK XYLAN, 5/1	39
CWTAYN031-150	SCREW, BUTTON HEAD, BLK XYLAN,5/16	40
CWTAYN031-300	SCREW, BUTTON HEAD, BLK XYLAN,5/16	41
CWCAYN038-100	SCREW, SOCKET HEAD, BLK XYLAN, 3/	42
CWBFNN050-250	STUD, 1/2-13 X 2 1/2	43
CWWBKN031-007	WASHER, FLAT, TYPE A, SAE, 5/16 ID	44
CWWBKN038-007	WASHER, FLAT, TYPE A, SAE, 3/8 ID	45
CWWBKN050-010	WASHER, FLAT, TYPE A, SAE, 1/2 ID X	46
CWWALYN031-008	WASHER, SPLIT, 5/16 ID, BL	47
CWWALYN038-009	WASHER, SPLIT, 3/8 ID, BLK XYLAN	48
CWWALYN050-013	WASHER, SPLIT, 1/2 ID, BLK XYLAN	49
CWRANN038-100	BOLT, SHOULDER, 3/8-16 X 1/2 X 1	50
CW31756-101	LABEL, PRECOR USA ICARIAN LINE	51
CW30010-101	LABEL,WARNING STRENGTH	53
CW30144-101	ASSY, LABEL,INSTRUCTION,404	54
CW30103-200	WEIGHT STACK,200 LBS,MTP-S,19 X 10	55
CW30013-107	CUT PIECE, CREPE, 1/4 X 3 3/4 X 3 3	56
CW12634-101	SPRING, TORSION 90 DEG X 0.484 X 0.	72
CW31770-742	LATCH PIVOTING PIN, CLR ZN	73
CWAMNN028-003	RING, RETAINING, 2-TURN, SPIRAL, SS	74
CW12633-101	ENDCAP, REC TUBE, LDP, 1 1/2 X 3 1	75
CW31143-711	ASSY, SEAT ADJUSTMENT, 8 HOLE, CHM	76
CW30165-751	ASSY, POP PIN, 0.450 DIA HANDLE, B	77
CWGR2505-000	GRIP,RUBBER,3/4" DIA, 5"	85
CWAC220-901	HANDLE END CAP W/SET SCREWS, DIA 3/	86
CW10510-721	ASSY, PLATE, WEIGHT, 10 LBS, WRKL B	201
CW10520-721	ASSY, PLATE, WEIGHT, 20 LBS, WRKL B	202
CWAC1133-101	BUSHING, WEIGHT PLATE, LDPE PLASTIC	203
CW30172-751	ASSY, 4.00 IN WEIGHT STACK PIN AND	227
CW30173-751	ASSY, 6.00 IN WEIGHT STACK PIN AND	228
CWLDNN038-200	PIN, ROLL, DIA 3/8 X 2	250
CW30184-901	ASSY,BARREL,TOP PLATE,ALUMINUM	251
CW10550-722	PLATE, WEIGHT, MED TOP (MTP-S), 10	283
CW30132-711	SELECTOR STEM, 20 PLATE,0 .875 DIA,	308
CW30011-101	LABEL,WARNING WEIGHT STACK	311
CW12401-106	LABEL, WEIGHT PLATE, 20 LBS/ 8 KG	319
CW12401-110	LABEL, WEIGHT PLATE, 30 LBS/ 13.6 K	323
CW12401-114	LABEL, WEIGHT PLATE, 40 LBS/ 18.2 K	327
CW12401-118	LABEL, WEIGHT PLATE, 50 LBS/ 22.7 K	331
CW12401-120	LABEL, WEIGHT PLATE, 60 LBS/ 27.3 K	333
CW12401-122	LABEL, WEIGHT PLATE, 70 LBS/ 31.8 K	335
CW12401-124	LABEL, WEIGHT PLATE, 80 LBS/ 36.4 K	337
CW12401-126	LABEL, WEIGHT PLATE, 90 LBS/ 40.9 K	339
CW12401-128	LABEL, WEIGHT PLATE, 100 LBS/ 45.5	341
CW12401-129	LABEL, WEIGHT PLATE, 110 LBS/ 50 KG	342
CW12401-130	LABEL, WEIGHT PLATE, 120 LBS/ 54.6	343
CW12401-131	LABEL, WEIGHT PLATE, 130 LBS/ 59.1	344
CW12401-132	LABEL, WEIGHT PLATE, 140 LBS/ 63.6	345
CW12401-133	LABEL, WEIGHT PLATE, 150 LBS/ 68.2	346

CW12401-134	LABEL, WEIGHT PLATE, 160 LBS/ 72.7	347
CW12401-135	LABEL, WEIGHT PLATE, 170 LBS/ 77.3	348
CW12401-136	LABEL, WEIGHT PLATE, 180 LBS/ 81.8	349
CW12401-137	LABEL, WEIGHT PLATE, 190 LBS/ 86.4	350
CW12401-138	LABEL, WEIGHT PLATE, 200 LBS/ 90.9	351
CW12401-139	LABEL, WEIGHT PLATE, 210 LBS/ 95.5	352
CW12401-141	LABEL, WEIGHT PLATE, 230 LBS/ 104.6	354
CW12401-143	LABEL, WEIGHT PLATE, 250 LBS/ 113.6	356
CW12537-109	NUT,INSERT,THIN-NUT,LARGE FLANGE	400
CW30126-101	LABEL,VINYL, PRECOR, 3.25 X 18.0	401
CWPF3143-211	SHROUD,SHEET,STEEL,3/32 THICK,4 BEN	402.01
CWPF3143-221	SHROUD,SHEET,STEEL,3/32 THICK,4 BEN	402.02
CWPF3143-231	SHROUD,SHEET,STEEL,3/32 THICK,4 BEN	402.03
CWPF3143-241	SHROUD,SHEET,STEEL,3/32 THICK,4 BEN	402.04
CWPF3143-251	SHROUD,SHEET,STEEL,3/32 THICK,4 BEN	402.05
CWPF3143-261	SHROUD,SHEET,STEEL,3/32 THICK,4 BEN	402.06
CWPF3143-271	SHROUD,SHEET,STEEL,3/32 THICK,4 BEN	402.07
CWPF3143-281	SHROUD,SHEET,STEEL,3/32 THICK,4 BEN	402.08
CWPF3143-291	SHROUD,SHEET,STEEL,3/32 THICK,4 BEN	402.09
CWPF3143-311	SHROUD,SHEET,STEEL,3/32 THICK,4 BEN	402.11
CWPF3143-321	SHROUD,SHEET,STEEL,3/32 THICK,4 BEN	402.12
CWPF3143-331	SHROUD,SHEET,STEEL,3/32 THICK,4 BEN	402.13
CWPF3143-341	SHROUD,SHEET,STEEL,3/32 THICK,4 BEN	402.14
CWPF3143-351	SHROUD,SHEET,STEEL,3/32 THICK,4 BEN	402.15
CWPF3143-361	SHROUD,SHEET,STEEL,3/32 THICK,4 BEN	402.16
CWPF3143-711	SHROUD,SHEET,STEEL,3/32 THICK,4 BEN	402.17
CWPF3144-721	SHROUD BRKT,PLATE,STEEL,1/8 THICK,1	403
CWPF3145-721	SHROUD BRKT,PLATE,STEEL,1/8 THICK,2	404
CWTAYN031-100	SCREW, BUTTON HEAD, BLK XYLAN, 5/1	405
CWWALYN031-008	WASHER, SPLIT, 5/16 ID, BL	406
CWWBKN031-007	WASHER, FLAT, TYPE A, SAE, 5/16 ID	407
CWAC1177-101	FLOOR PROTECTOR, RUBBER, 4.563 X 4.	501
CWAC1179-101	FLOOR PROTECTOR, RUBBER, 4.813 X 2.	502

404 Vertical Chest Press

Part Number	Description	Bubble Number
CW404SA1-211	ASSY,FRAME,MAIN,404,SKY WHITE	1.01
CW404SA1-221	ASSY,FRAME,MAIN,404,BLACK	1.02
CW404SA1-231	ASSY,FRAME,MAIN,404,RED	1.03
CW404SA1-241	ASSY,FRAME,MAIN,404,PLATINUM SPRKLE	1.04
CW404SA1-251	ASSY,FRAME,MAIN,404,SILVER	1.05
CW404SA1-261	ASSY,FRAME,MAIN,404,BLUE	1.06
CW404SA1-271	ASSY,FRAME,MAIN,404,CHARCOAL	1.07
CW404SA1-281	ASSY,FRAME,MAIN,404,CATHEDRAL GRAY	1.08
CW404SA1-291	ASSY,FRAME,MAIN,404,SILVER VIEN	1.09
CW404SA1-311	ASSY,FRAME,MAIN,404,STONE HG	1.11
CW404SA1-321	ASSY,FRAME,MAIN,404,TITANIUM HG	1.12
CW404SA1-331	ASSY,FRAME,MAIN,404,WHITE GLOSS	1.13
CW404SA1-341	ASSY,FRAME,MAIN,404,BLACK ONYX	1.14
CW404SA1-351	ASSY,FRAME,MAIN,404,LIGHT BRONZE	1.15
CW404SA1-361	ASSY,FRAME,MAIN,404,SAPPHIRE BLUE	1.16
CW404SA2-211	ASSY,FRAME,SEAT,404,SKY WHITE	2.01
CW404SA2-221	ASSY,FRAME,SEAT,404,BLACK	2.02
CW404SA2-231	ASSY,FRAME,SEAT,404,RED	2.03
CW404SA2-241	ASSY,FRAME,SEAT,404,PLATINUM SPRKL	2.04
CW404SA2-251	ASSY,FRAME,SEAT,404,SILVER	2.05
CW404SA2-261	ASSY,FRAME,SEAT,404,BLUE	2.06
CW404SA2-271	ASSY,FRAME,SEAT,404,CHARCOAL	2.07
CW404SA2-281	ASSY,FRAME,SEAT,404,CATHEDRAL GREY	2.08
CW404SA2-291	ASSY,FRAME,SEAT,404,SILVER VIEN	2.09
CW404SA2-312	ASSY,FRAME,SEAT,404,STONE HG	2.11
CW404SA2-321	ASSY,FRAME,SEAT,404,TITANIUM HG	2.12
CW404SA2-331	ASSY,FRAME,SEAT,404,WHITE GLOSS	2.13
CW404SA2-341	ASSY,FRAME,SEAT,404,BLACK O	2.14
CW404SA2-351	ASSY,FRAME,SEAT,404,LIGHT BRONZE	2.15
CW404SA2-361	ASSY,FRAME,SEAT,404,SAPPHIRE BLUE	2.16
CW404SA3-211	ASSY,ARM,404,SKY WHITE	3.01
CW404SA3-221	ASSY,ARM,404,BLACK	3.02
CW404SA3-231	ASSY,ARM,404,RED	3.03
CW404SA3-241	ASSY,ARM,404,PLATINUM SPRKL	3.04
CW404SA3-251	ASSY,ARM,404,SILVER	3.05
CW404SA3-261	ASSY,ARM,404,BLUE	3.06
CW404SA3-271	ASSY,ARM,404,CHARCOAL	3.07
CW404SA3-281	ASSY,ARM,404,CATHEDRAL GREY	3.08
CW404SA3-291	ASSY,ARM,404,SILVER VIEN	3.09
CW404SA3-311	ASSY,ARM,404,STONE HG	3.11
CW404SA3-321	ASSY,ARM,404,TITANIUM	3.12
CW404SA3-331	ASSY,ARM,404,WHITE GLOSS	3.13
CW404SA3-341	ASSY,ARM,404,BLACK ONYX	3.14
CW404SA3-351	ASSY,ARM,404,LIGHT BRONZE	3.15
CW404SA3-361	ASSY,ARM,404,SAPPHIRE BLUE	3.16
CW404SA4-211	ASSY,LOWER STRUT,404,SKY WHITE	4.01
CW404SA4-221	ASSY,LOWER STRUT,404,BLACK	4.02
CW404SA4-231	ASSY,LOWER STRUT,404,RED	4.03
CW404SA4-241	ASSY,LOWER STRUT,404,PLATINUM SPRKL	4.04

CW404SA4-251	ASSY,LOWER STRUT,404,SILVER	4.05
CW404SA4-261	ASSY,LOWER STRUT,404,BLUE	4.06
CW404SA4-271	ASSY,LOWER STRUT,404,CHARCOAL	4.07
CW404SA4-281	ASSY,LOWER STRUT,404,CATHEDRAL GREY	4.08
CW404SA4-291	ASSY,LOWER STRUT,404,SILVER VIEN	4.09
CW404SA4-311	ASSY,LOWER STRUT,404,STONE HG	4.11
CW404SA4-321	ASSY,LOWER STRUT,404,TITANIUM HG	4.12
CW404SA4-331	ASSY,LOWER STRUT,404,WHITE GLOSS	4.13
CW404SA4-341	ASSY,LOWER STRUT,404,BLACK ONYX	4.14
CW404SA4-351	ASSY,LOWER STRUT,404,LIGHT BRONZE	4.15
CW404SA4-361	ASSY,LOWER STRUT,404,SAPPHIRE BLUE	4.16
CW404SA5-211	ASSY,UPPER STRUT,404,SKY WHITE	5.01
CW404SA5-221	ASSY,UPPER STRUT,404,BLACK	5.02
CW404SA5-231	ASSY,UPPER STRUT,404,RED	5.03
CW404SA5-241	ASSY,UPPER STRUT,404,PLATINUM SPRKL	5.04
CW404SA5-251	ASSY,UPPER STRUT,404,SILVER	5.05
CW404SA5-261	ASSY,UPPER STRUT,404,BLUE	5.06
CW404SA5-271	ASSY,UPPER STRUT,404,CHARCOAL	5.07
CW404SA5-281	ASSY,UPPER STRUT,404,CATHEDRAL GREY	5.08
CW404SA5-291	ASSY,UPPER STRUT,404,SILVER VIEN	5.09
CW404SA5-311	ASSY,UPPER STRUT,404,STONE HG	5.11
CW404SA5-321	ASSY,UPPER STRUT,404,TITANIUM HG	5.12
CW404SA5-331	ASSY,UPPER STRUT,404,WHITE GLOSS	5.13
CW404SA5-341	ASSY,UPPER STRUT,404,BLACK ONYX	5.14
CW404SA5-351	ASSY,UPPER STRUT,404,LIGHT BRONZE	5.15
CW404SA5-361	ASSY,UPPER STRUT,404,SAPPHIRE BLUE	5.16
CWAC1009-101	PULLEY, 4 1/2 DIA. X 1/2 ID	9
CW12406-101	PILLOW BLOCK, BEARING, 2 BOLT	10
CW12404-101	CAP, GUIDE ROD,DIA 3/4, BLK	11
CW30165-751	ASSY, POP PIN, 0.450 DIA HANDLE, B	12
CW32460-321	ASSY, RATCHETING LEVER, TITANIUM	12
CW11311-102	ENDCAP, REC TUBE, 2X4, BLK PLASTIC	13
CW11311-103	ENDCAP, REC TUBE, 2X2, BLK PLASTIC	14
CW12402-101	BUMPER, WEIGHT STACK, BLK RUBBER	15
CWGR2621-000	GRIP,RUBBER, 1" DIA, 21"	20
CWAC1228-901	SPACER, ALU,.328 ID X .625 OD X .25	21
CWAC1236-102	GUIDE INSERT, PLASTIC WITH HOLE, BL	23
CWAC218-901	HANDLE END CAP W/SET SCREWS, DIA 1"	24
CWPF1212-711	GUIDE ROD, 3/4 X 42 5/8 (#4), CHM	26
CW32535-711	ASSEMBLY, SEAT ADJUSTMENT, 8 HOLE,	27
CW30013-114	CUT PIECE, CREPE, 1/4 X 6 X 12	28
CW30013-107	CUT PIECE, CREPE, 1/4 X 3 3/4 X 3 3	29
CWCLGP065-125	ASSY, CABLE, 404	30
CWPD1102J-101	PAD,FLAT,10X36,4HOLES,W/BP,BLACK,W/	31.01
CWPD1102J-102	PAD,FLAT,10X36,4HOLES,W/BP,RYL BL,W	31.02
CWPD1102J-103	PAD,FLAT,10X36,4HOLES,W/BP,DVE GRY,	31.03
CWPD1102J-104	PAD,FLAT,10X36,4HOLES,W/BP,CROCUS,W	31.04
CWPD1102J-105	PAD,FLAT,10X36,4HOLES,W/BP,GROTTO,W	31.05
CWPD1102J-106	PAD,FLAT,10X36,4HOLES,W/BP,GRAPHITE	31.06
CWPD1102J-107	PAD,FLAT,10X36,4HOLES,W/BP,RED,W/SL	31.07
CWPD1102J-108	PAD,FLAT,10X36,4HOLES,W/BP,CHN GRN,	31.08

CWPD1102J-109	PAD,FLAT,10X36,4HOLES,W/BP,TURQSE,W	31.09
CWPD1102J-110	PAD,FLAT,10X36,4HOLES,W/BP,RASP,W/S	31.1
CWPD1102J-111	PAD,FLAT,10X36,4HOLES,W/BP,PLUM,W/S	31.11
CWPD1102J-112	PAD,FLAT,10X36,4HOLES,W/BP,REGIMENT	31.12
CWPD1102J-113	PAD,FLAT,10X36,4HOLES,W/BP,SPC BLUE	31.13
CWPD1102J-115	PAD,FLAT,10X36,4HOLES,W/BP,BLK LTHR	31.15
CWPD1102J-116	PAD,FLAT,10X36,4HOLES,W/BP,NVBL LTH	31.16
CWPD1102J-117	PAD,FLAT,10X36,4HOLES,W/BP,PUTTY,W/	31.17
CWPD1102J-118	PAD,FLAT,10X36,4HOLES,W/BP,IMPRL BL	31.18
CWPD1102J-119	PAD,FLAT,10X36,4HOLES,W/BP,YEW GRN,	31.19
CWPD1102J-120	PAD,FLAT,10X36,4HOLES,W/BP,DSTY JDE	31.2
CWPD1102J-121	PAD,FLAT,10X36,4HLS,W/BP,TRRA CTTA,	31.21
CWPD1102J-122	PAD,FLAT,10X36,4HOLES,W/BP,PAPRIKA,	31.22
CWPD1102J-123	PAD,FLAT,10X36,4HLS,W/BP,ASH LTHR,W	31.23
CWPD1102J-124	PAD,FLAT,10X36,4HL,W/BP,CERULN LTH,	31.24
CWPD1102J-125	PAD,FLAT,10X36,4HL,W/BP,CHARCL LTH,	31.25
CWPD1102J-126	PAD,FLAT,10X36,4HLS,W/BP,HUNTER LTH	31.26
CWPD1102J-127	PAD,FLAT,10X36,4HLS,W/BP,MOSS LTH,W	31.27
CWPD1102J-128	PAD,FLAT,10X36,4HLS,W/BP,SPICE LTH,	31.28
CWPD1102J-129	PAD,FLAT,10X36,4HLS,W/BP,TOMATO LTH	31.29
CWPD1207B-101	PAD,5X9X14.5,4HOLES,W/BP,BLACK	32.01
CWPD1207B-102	PAD,5X9X14.5,4HOLES,W/BP,RYL BL	32.02
CWPD1207B-103	PAD,5X9X14.5,4HOLES,W/BP,DVE GRY	32.03
CWPD1207B-104	PAD,5X9X14.5,4HOLES,W/BP,CROCUS	32.04
CWPD1207B-105	PAD,5X9X14.5,4HOLES,W/BP,GROTTO	32.05
CWPD1207B-106	PAD,5X9X14.5,4HOLES,W/BP,GRAPHITE	32.06
CWPD1207B-107	PAD,5X9X14.5,4HOLES,W/BP,RED	32.07
CWPD1207B-108	PAD,5X9X14.5,4HOLES,W/BP,CHN GRN	32.08
CWPD1207B-109	PAD,5X9X14.5,4HOLES,W/BP,TURQSE	32.09
CWPD1207B-110	PAD,5X9X14.5,4HOLES,W/BP,RASP	32.1
CWPD1207B-111	PAD,5X9X14.5,4HOLES,W/BP,PLUM	32.11
CWPD1207B-112	PAD,5X9X14.5,4HOLES,W/BP,REGIMENT	32.12
CWPD1207B-113	PAD,5X9X14.5,4HOLES,W/BP,SPC BLUE	32.13
CWPD1207B-115	PAD,5X9X14.5,4HOLES,W/BP,BLK LTHR	32.15
CWPD1207B-116	PAD,5X9X14.5,4HOLES,W/BP,NVBL LTH	32.16
CWPD1207B-117	PAD,5X9X14.5,4HOLES,W/BP,PUTTY	32.17
CWPD1207B-118	PAD,5X9X14.5,4HOLES,W/BP,IMPRL BL	32.18
CWPD1207B-119	PAD,5X9X14.5,4HOLES,W/BP,YEW GRN	32.19
CWPD1207B-120	PAD,5X9X14.5,4HOLES,W/BP,DSTY JD	32.2
CWPD1207B-121	PAD,5X9X14.5,4HOLES,W/BP,TER COT	32.21
CWPD1207B-122	PAD,5X9X14.5,4HOLES,W/BP,PAPRIKA	32.22
CWPD1207B-123	PAD,5X9X14.5,4HLS,W/BP,ASH LTHR	32.23
CWPD1207B-124	PAD,5X9X14.5,4HLS,W/BP,CERULAN LTHR	32.24
CWPD1207B-125	PAD,5X9X14.5,4HLS,W/BP,CHARCOAL LTH	32.25
CWPD1207B-126	PAD,5X9X14.5,4HLS,W/BP,HUNTER LTHR	32.26
CWPD1207B-127	PAD,5X9X14.5,4HLS,W/BP,MOSS LTHR	32.27
CWPD1207B-128	PAD,5X9X14.5,4HLS,W/BP,SPICE LTHR	32.28
CWPD1207B-129	PAD,5X9X14.5,4HLS,W/BP,TOMATO LTH	32.29
CWPF1016-731	BAR,,FLAT CR/HR, 3/8 X 2 X 8 1/4, 3	33
CWHCYN050-100	SCREW,HEX HEAD,BLK XYLAN,1/2-13 X 1	35
CWKADLN050-081	NUT, ACORN, 1/2-13	36

CW12537-109	NUT,INSERT,THIN-NUT,LARGE FLANGE	37
CWCLFA1064-741	ROD END, FEMALE, STEEL, ZINC, CAD,	38
CWTAYN031-100	SCREW, BUTTON HEAD, BLK XYLAN, 5/1	39
CWTAYN031-150	SCREW, BUTTON HEAD, BLK XYLAN,5/16	40
CWTAYN031-300	SCREW, BUTTON HEAD, BLK XYLAN,5/16	41
CWCAYN038-100	SCREW, SOCKET HEAD, BLK XYLAN, 3/	42
CWBFNN050-250	STUD, 1/2-13 X 2 1/2	43
CWWBKN031-007	WASHER, FLAT, TYPE A, SAE, 5/16 ID	44
CWWBKN038-007	WASHER, FLAT, TYPE A, SAE, 3/8 ID	45
CWWBKN050-010	WASHER, FLAT, TYPE A, SAE, 1/2 ID X	46
CWWALYN031-008	WASHER, SPLIT, 5/16 ID, BL	47
CWWALYN038-009	WASHER, SPLIT, 3/8 ID, BLK XYLAN	48
CWWALYN050-013	WASHER, SPLIT, 1/2 ID, BLK XYLAN	49
CWRANN038-100	BOLT, SHOULDER, 3/8-16 X 1/2 X 1	50
CW31756-101	LABEL, PRECOR USA ICARIAN LINE	51
CW30010-101	LABEL,WARNING STRENGTH	53
CW30144-101	ASSY, LABEL,INSTRUCTION,404	54
CW30103-200	WEIGHT STACK,200 LBS,MTP-S,19 X 10	55
CW30013-107	CUT PIECE, CREPE, 1/4 X 3 3/4 X 3 3	56
CW12634-101	SPRING, TORSION 90 DEG X 0.484 X 0.	72
CW31770-742	LATCH PIVOTING PIN, CLR ZN	73
CWAMNN028-003	RING, RETAINING, 2-TURN, SPIRAL, SS	74
CW12633-101	ENDCAP, REC TUBE, LDP, 1 1/2 X 3 1	75
CW31143-711	ASSY, SEAT ADJUSTMENT, 8 HOLE, CHM	76
CW30165-751	ASSY, POP PIN, 0.450 DIA HANDLE, B	77
CWGR2505-000	GRIP,RUBBER,3/4" DIA, 5"	85
CWAC220-901	HANDLE END CAP W/SET SCREWS, DIA 3/	86
CW10510-721	ASSY, PLATE, WEIGHT, 10 LBS, WRKL B	201
CW10520-721	ASSY, PLATE, WEIGHT, 20 LBS, WRKL B	202
CWAC1133-101	BUSHING, WEIGHT PLATE, LDPE PLASTIC	203
CW30172-751	ASSY, 4.00 IN WEIGHT STACK PIN AND	227
CW30173-751	ASSY, 6.00 IN WEIGHT STACK PIN AND	228
CWLDNN038-200	PIN, ROLL, DIA 3/8 X 2	250
CW30184-901	ASSY,BARREL,TOP PLATE,ALUMINUM	251
CW10550-722	PLATE, WEIGHT, MED TOP (MTP-S), 10	283
CW30132-711	SELECTOR STEM, 20 PLATE,0 .875 DIA,	308
CW30011-101	LABEL,WARNING WEIGHT STACK	311
CW12401-106	LABEL, WEIGHT PLATE, 20 LBS/ 8 KG	319
CW12401-110	LABEL, WEIGHT PLATE, 30 LBS/ 13.6 K	323
CW12401-114	LABEL, WEIGHT PLATE, 40 LBS/ 18.2 K	327
CW12401-118	LABEL, WEIGHT PLATE, 50 LBS/ 22.7 K	331
CW12401-120	LABEL, WEIGHT PLATE, 60 LBS/ 27.3 K	333
CW12401-122	LABEL, WEIGHT PLATE, 70 LBS/ 31.8 K	335
CW12401-124	LABEL, WEIGHT PLATE, 80 LBS/ 36.4 K	337
CW12401-126	LABEL, WEIGHT PLATE, 90 LBS/ 40.9 K	339
CW12401-128	LABEL, WEIGHT PLATE, 100 LBS/ 45.5	341
CW12401-129	LABEL, WEIGHT PLATE, 110 LBS/ 50 KG	342
CW12401-130	LABEL, WEIGHT PLATE, 120 LBS/ 54.6	343
CW12401-131	LABEL, WEIGHT PLATE, 130 LBS/ 59.1	344
CW12401-132	LABEL, WEIGHT PLATE, 140 LBS/ 63.6	345
CW12401-133	LABEL, WEIGHT PLATE, 150 LBS/ 68.2	346

CW12401-134	LABEL, WEIGHT PLATE, 160 LBS/ 72.7	347
CW12401-135	LABEL, WEIGHT PLATE, 170 LBS/ 77.3	348
CW12401-136	LABEL, WEIGHT PLATE, 180 LBS/ 81.8	349
CW12401-137	LABEL, WEIGHT PLATE, 190 LBS/ 86.4	350
CW12401-138	LABEL, WEIGHT PLATE, 200 LBS/ 90.9	351
CW12401-139	LABEL, WEIGHT PLATE, 210 LBS/ 95.5	352
CW12401-141	LABEL, WEIGHT PLATE, 230 LBS/ 104.6	354
CW12401-143	LABEL, WEIGHT PLATE, 250 LBS/ 113.6	356
CW12537-109	NUT,INSERT,THIN-NUT,LARGE FLANGE	400
CW30126-101	LABEL,VINYL, PRECOR, 3.25 X 18.0	401
CWPF3143-211	SHROUD,SHEET,STEEL,3/32 THICK,4 BEN	402.01
CWPF3143-221	SHROUD,SHEET,STEEL,3/32 THICK,4 BEN	402.02
CWPF3143-231	SHROUD,SHEET,STEEL,3/32 THICK,4 BEN	402.03
CWPF3143-241	SHROUD,SHEET,STEEL,3/32 THICK,4 BEN	402.04
CWPF3143-251	SHROUD,SHEET,STEEL,3/32 THICK,4 BEN	402.05
CWPF3143-261	SHROUD,SHEET,STEEL,3/32 THICK,4 BEN	402.06
CWPF3143-271	SHROUD,SHEET,STEEL,3/32 THICK,4 BEN	402.07
CWPF3143-281	SHROUD,SHEET,STEEL,3/32 THICK,4 BEN	402.08
CWPF3143-291	SHROUD,SHEET,STEEL,3/32 THICK,4 BEN	402.09
CWPF3143-311	SHROUD,SHEET,STEEL,3/32 THICK,4 BEN	402.11
CWPF3143-321	SHROUD,SHEET,STEEL,3/32 THICK,4 BEN	402.12
CWPF3143-331	SHROUD,SHEET,STEEL,3/32 THICK,4 BEN	402.13
CWPF3143-341	SHROUD,SHEET,STEEL,3/32 THICK,4 BEN	402.14
CWPF3143-351	SHROUD,SHEET,STEEL,3/32 THICK,4 BEN	402.15
CWPF3143-361	SHROUD,SHEET,STEEL,3/32 THICK,4 BEN	402.16
CWPF3143-711	SHROUD,SHEET,STEEL,3/32 THICK,4 BEN	402.17
CWPF3144-721	SHROUD BRKT,PLATE,STEEL,1/8 THICK,1	403
CWPF3145-721	SHROUD BRKT,PLATE,STEEL,1/8 THICK,2	404
CWTAYN031-100	SCREW, BUTTON HEAD, BLK XYLAN, 5/1	405
CWWALYN031-008	WASHER, SPLIT, 5/16 ID, BL	406
CWWBKN031-007	WASHER, FLAT, TYPE A, SAE, 5/16 ID	407
CWAC1177-101	FLOOR PROTECTOR, RUBBER, 4.563 X 4.	501
CWAC1179-101	FLOOR PROTECTOR, RUBBER, 4.813 X 2.	502